

# DLV-R 3 Inch Downlight

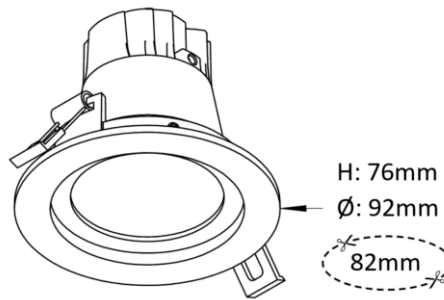


IP Rating	20 (44 on request)
Dimensions	Refer to line drawing
Weight (Kg)	0.22
Housing	Die Cast Aluminum
Finish	White, Other
Aluminum Reflector	36, 45, 60
Glass	Clear, Spotted, Frosted
Mounting	Recessed

### Product Specifications

LED Driver	Required (Remote)
Input Voltage	220-240 V
Dimming options	DALI, Trailing Edge, Other
Flicker Free	< 3%
Low Ripple Current	Yes
Light Source	LED
Power Factor	> 0.90
Available CCT	3000K, 4000K, Other
CRI	> 80, Other
Lifetime	Up to 97 00 hours (L90B10)
Application Temperature	Ta < 35°C
Colour Consistency	Mac Adams < 3 SDMC
Available in Emergency	1hr, 3hr (Ta < 25°C)
5 Year warranty	Subject to Lightnet T's and C's

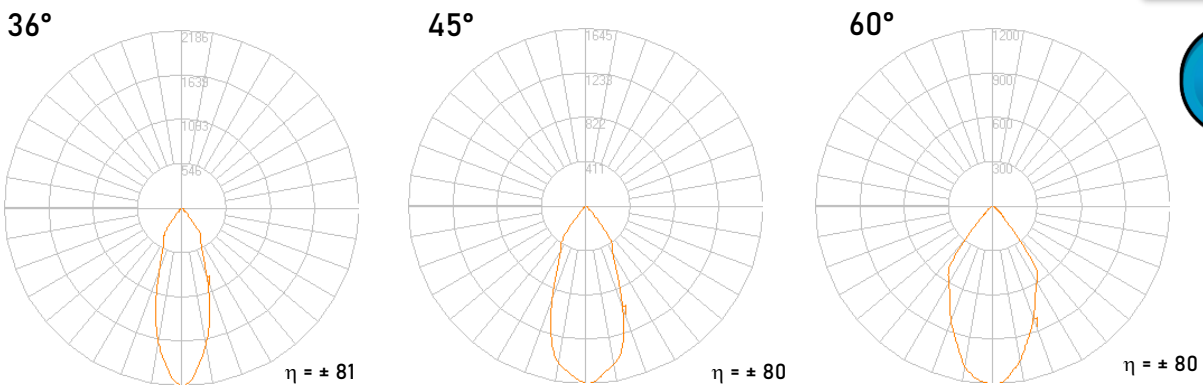
### DLV-R 3 Inch Downlight



### Additional Features

- 
- 
- 
- 

### Polar Curves



CCT	CRI	Wattage	Drive current	Voltage	COB Flux @Tc 65°C	Efficacy
(K)	(Ra)	(W)	(mA)	(V)	(lm)	(lm/W)
3000	80	8.8	350	25.1	1 397	159
3000	80	13.0	500	26.1	1 912	147
4000	80	8.8	350	25.1	1 479	168
4000	80	13.0	500	26.1	1 968	151

Tolerance range of optical and electrical data is ± 10%.

Wattage does not include power consumption of driver (Additional 8-15%).

Please note: Data may be rounded up/down for illustrative purposes. We reserve the right to amend or change details without prior notification. E&OE