

DLV-R 4 Inch Downlight

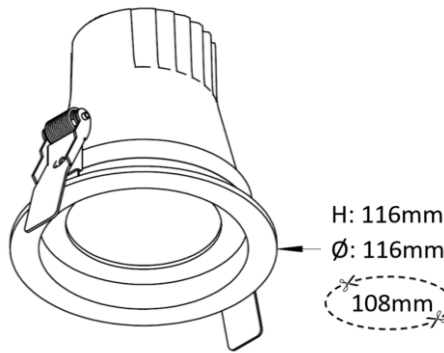


IP Rating	20
Dimensions	Refer to line drawing
Weight (Kg)	0.42
Housing	Die Cast Aluminum
Finish	White, Other
Aluminum Reflector	36, 45, 60
Glass	Clear, Spotted, Frosted
Mounting	Recessed

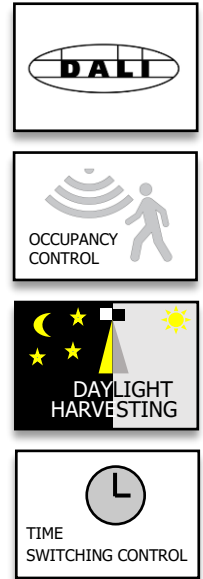
Product Specifications

LED Driver	Required (Remote)
Input Voltage	220-240 V
Dimming options	DALI, Trailing Edge, Other
Flicker Free	< 3%
Low Ripple Current	Yes
Light Source	LED
Power Factor	> 0.90
Available CCT	3000K, 4000K, Other
CRI	> 80, Other
Lifetime	Up to 100 000 hours (L90B10)
Application Temperature	Ta < 35°C
Colour Consistency	Mac Adams < 3 SDMC
Available in Emergency	1hr, 3hr (Ta < 25°C)
5 Year warranty	Subject to Lightnet T's and C's

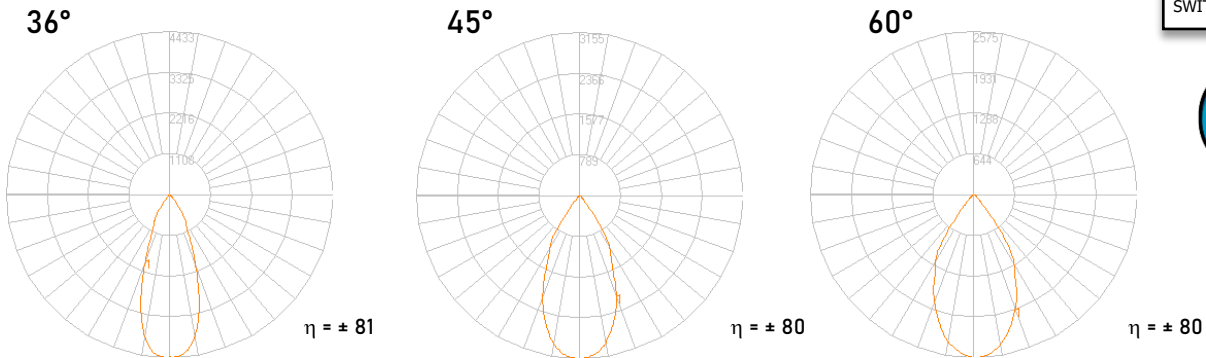
DLV-R 4 Inch Downlight



Additional Features



Polar Curves



CCT (K)	CRI (Ra)	Wattage (W)	Drive current (mA)	Voltage (V)	COB Flux @Tc 65°C (lm)	Efficacy (lm/W)
3000	80	11.3	350	32.3	1 984	175
3000	80	16.4	500	32.9	2 789	169
3000	80	23.5	700	33.6	3 827	162
3000	80	29.0	850	34.1	4 583	158
4000	80	11.3	350	32.3	2 042	180
4000	80	16.4	500	32.9	2 871	174
4000	80	23.5	700	33.6	3 939	167
4000	80	29.0	850	34.1	4 718	162

Tolerance range of optical and electrical data is ± 10%.

Wattage does not include power consumption of driver (Additional 8-15%).

Please note: Data may be rounded up/down for illustrative purposes. We reserve the right to amend or change details without prior notification. E&OE