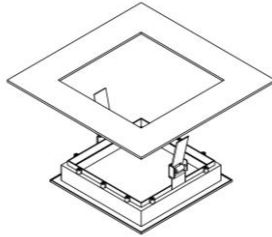


Step 1.

- Cut Suggested Size hole.

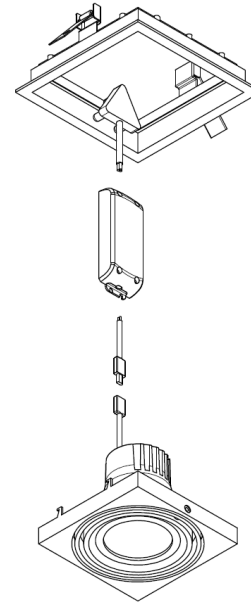
Step 2.

- Compress Spring/Mounting Clips inwards and place frame into cut-out.
- Release Spring/Mounting Clips to fit frame into ceiling.



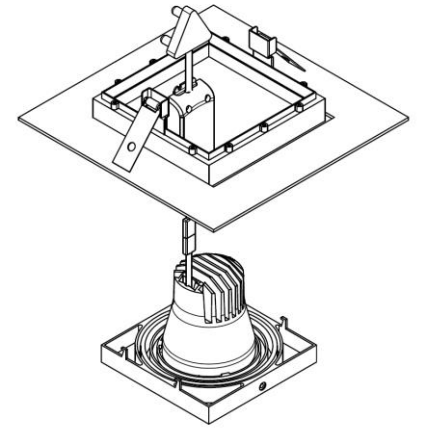
Step 3.

- Ensure Luminaire is connected to the secondary side of the LED drivers.
- Ensure the correct supply voltage (check Voltage requirements) is applied to the LED driver primary side.
- **NB** – Wiring luminaire directly into the supply voltage will result in destruction of the LED module
- **NB** – Power must be off when connecting luminaire to LED driver.
- If applicable, connect DA/DA or 0/1-10V for dimmable drivers.



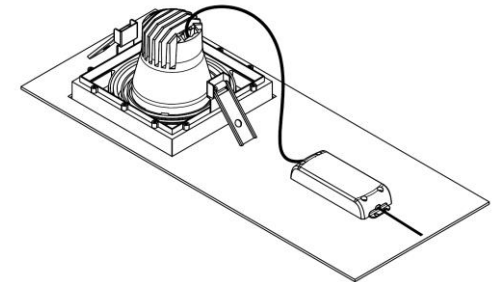
Step 4.

- Feed LED driver and power lead through the cut-out.
- Ensure there is suitable space all around the downlight (>200mm is recommended).
- Ensure LED Driver is placed away from the downlight / heatsink and not covered.
- Connect correct supply voltage.



Step 5.

- Slot and click Gimbal Insert into frame
- Luminaire orientation to be facing down. This allows for heat dissipation through the heatsink to maintain LED module life.



General Instructions

- Please read installation instructions to prior to installation.
- Modifications/opening of the luminaire will invalidate the liability of the manufacturer.
- Our products support the circular economy and therefore the light source is replaceable, but it is only to be replaced by an authorized dealer or the manufacturer.
- Installation of the luminaire should be carried out in accordance with the latest relevant wiring regulations for specific Country/Region.
- Installation should be carried out by a qualified electrician.
- Ensure all electrical connections are tight with no loose strands, including factory made connections.
- Only use an approved LED driver for this product.
- This luminaire is for indoor use only.
- **IMPORTANT!** The LED driver must not be covered by ceiling insulation material as this will reduce the LED Drivers operational lifetime, invalidate the guarantee and may cause a risk of fire.