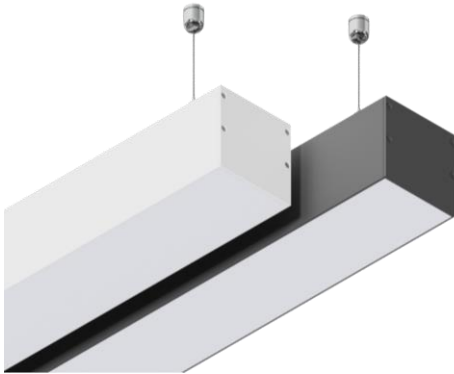


LSS7575 Linear Luminaire



Application

Providing a range of lumen output options tailored for diverse applications ($T_a \leq 35^\circ\text{C}$), catering to both ambient illumination and aesthetic lighting needs.

Typical applications encompass commercial settings like reception areas, office spaces, retail establishments, and restaurants.



Retail



Public Facilities



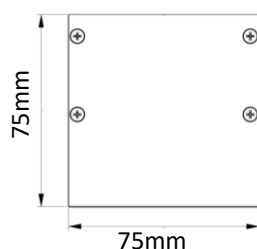
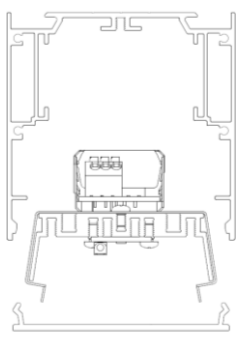
Hospitality



Commercial



Residential



Product Overview

High quality LED:

Zhaga compliant LED PCB
CRI ≥ 80 as a standard
3000K and 4000K as a standard
Colour consistency with low Mac Adams step of SDCM ≤ 3
Alternative CCT and CRI available on request

LED driver:

Integrated LED driver
220 – 240V input (50-60 Hz)
Ripple and Flicker free ($\leq 5\%$)
Power Factor of ≥ 0.95
DALI available on request

Housing:

Extruded Aluminium Housing
Easy to Install for surface mount or suspended
Light output ratio of +/- 50%
White, Black and Silver as a standard
Other Colour options available on request

Geartray (Light Engine):

Extruded Aluminium heatsink for increased heat dissipation properties to increase life of LED component
Removable for end-of-life maintenance
L&B rating up to L90B10 $\geq 80\ 000$ hrs
Metric thread for Zhaga compliant LED Modules

Diffuser:

PC Clip in Opal diffuser
Blanking plates available

Suspension Kits:

PVC rubber coated steel suspension cable
Adjustable Nickel-plated copper Clutch system
Stainless steel mounting clips (surface or suspended)

Built-in Emergency Kit:

Available as a 1hr or 3hr on request ($T_a \leq 25^\circ\text{C}$)

Standard Warranty of luminaire is 5 years subjected to Lightnet T's and C's



2.93 Kg/m



Refer to Line drawing



IP20



Extruded Aluminium Profiles

LSS7575 Linear Luminaire

CCT (K)	Drive current (mA)	Voltage (V)	Nominal Wattage/m (W)	Nominal Lumens/m (lm)
3000K	200	76.5	15	2 730
3000K	250	77.3	20	3 435
3000K	350	78.8	28	4 720
3000K	500	80.6	41	6 565
4000K	200	76.5	15	2 935
4000K	250	77.3	20	3 690
4000K	350	78.8	28	5 075
4000K	500	80.6	41	7 060

Code Sequence example – L463LD840-28W/m-2450 /DA

L46 3 LD 8 40 -28W/m -2450 /DA

Product Name

Colour
 1 – White
 2 – Black
 3 – Silver
 0 – Other

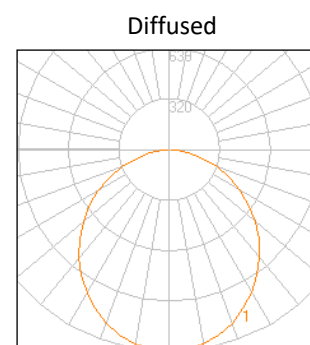
CRI
 8 – ≥80

CCT
 30 – 3 000K
 40 – 4 000K
 50 – 5 000K
 65 – 6 500K

Nominal W/m
 -15 -15 W/m
 -20 - 20 W/m
 -28 - 28 W/m
 -41 - 41 W/m

Length of profile
 Length in mm

Additional
 /DA – DALI



- Customised Lengths: According to requirements.
- Customised Shapes: Angles, Squares, Rectangles, Triangle, Pentagon, Hexagon, Octagon ETC.
- Customised Colour: RAL to be specified.
- Consult with a Lightnet representative or distributor for more information.

Produced/Assembled in South Africa

5-year warranty

Tolerance range of optical and electrical data is ± 10%.

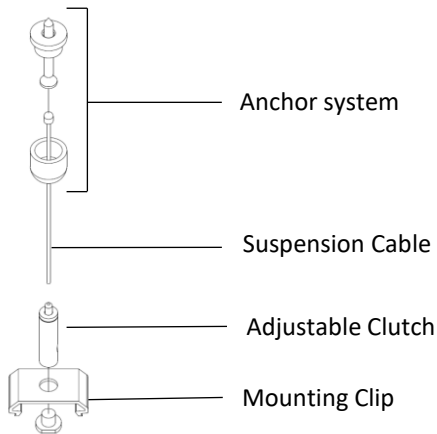
Optical and electrical data may increase or decrease with a change of specifications and availability of components.

Please note: Data may be rounded up/down for illustrative purposes. We reserve the right to amend or change details without prior notification. E&OE

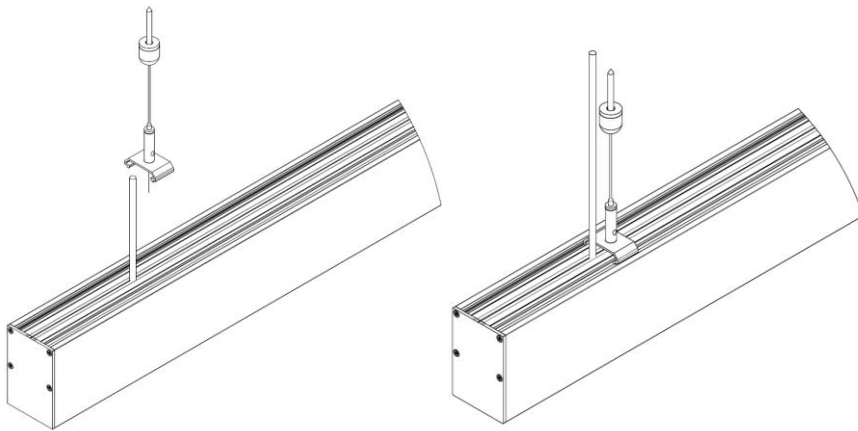
REV20240510.

LSS7575 Linear Luminaire

Suspension Kit Assembly Illustration



Suspension Kit Mounting Illustration



Simple to install

1. Attach the suspension kit to the mounting clip and secure the suspension kits onto a solid surface.
2. click on mounting the clip onto the top side of the profile.
3. Power must be switched off during the installation of the luminaire.