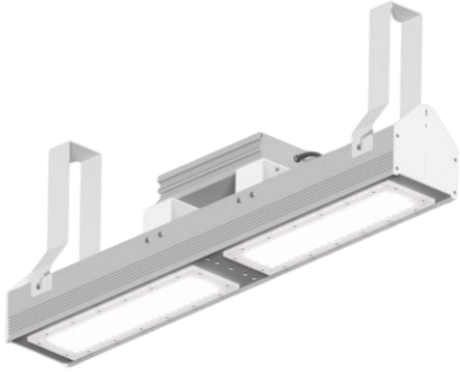
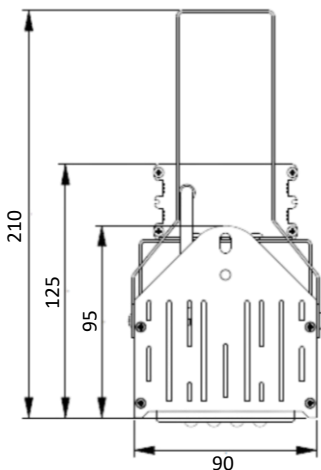
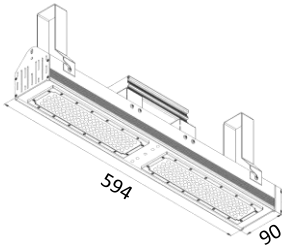


LHB160 Highbay



Application:

A product intricately crafted for medium to high mounting applications necessitating IP20 to IP66. This product stands out for its ability to deliver outstanding general lighting. The LHB160 comes standard with P2000 mounting brackets, other options are available on request. Operating temperatures -20 °C to 40°C.



Industrial and warehousing



Refer to table



Refer to Line drawing



IP66



IK08



Die Cast Aluminium Heatsink

Product Overview

High quality LED:

CRI \geq 70 as a standard
4000K as a standard
Colour consistency with a low Mac Adams step of SDCM \leq 4

Integrated LED driver:

100 – 240V input (50/60 Hz)
Harmonic distortion \leq 5 %
Power factor \geq 0.95
Surge protection: L-N 5KV ; L/N-G 10KV
DALI available on request

Optic:

20° x 60° (High Rack Beam) for aisle illumination
90° for general illumination

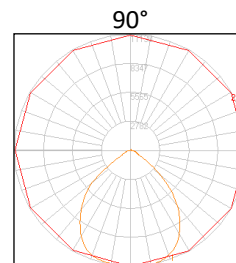
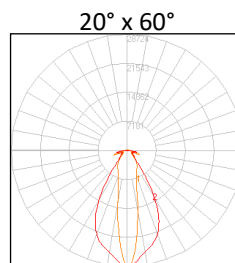
Heatsink Material:

Extruded aluminium heatsink for increased heat dissipating properties to increase life of LED component
L&B rating: L80B10 \geq 50 000hrs

Emergency Kit:

Separate 1hr kit as a standard (Ta \leq 25°C)

Standard Warranty of luminaire is 5 years subjected to Lightnet T's and C's



Nominal Wattage	Nominal Lumens	System Wattage	System Lumens	Distribution	Code
145 W	25 690 lm	160 W	21 474 lm	20° x 60°	56143HRBED740/160/870
145 W	25 690 lm	160 W	22 450 lm	90°	56143090ED740/160/870

Produced/Assembled in South Africa

5-year warranty

Tolerance range of optical and electrical data is \pm 10%.

Optical and electrical data may increase or decrease with a change of specifications and availability of components.

Please note: Data may be rounded up/down for illustrative purposes. We reserve the right to amend or change details without prior notification. E&OE REV20240506.